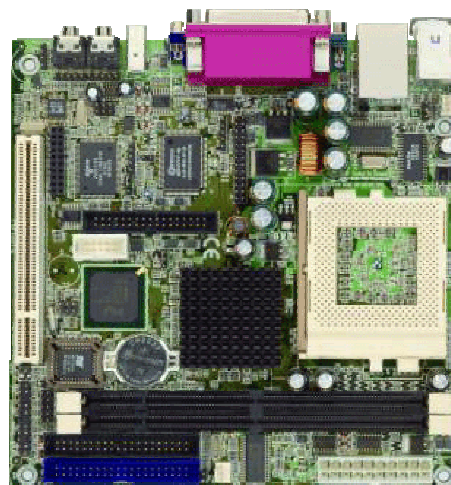


Quick Reference LV-603

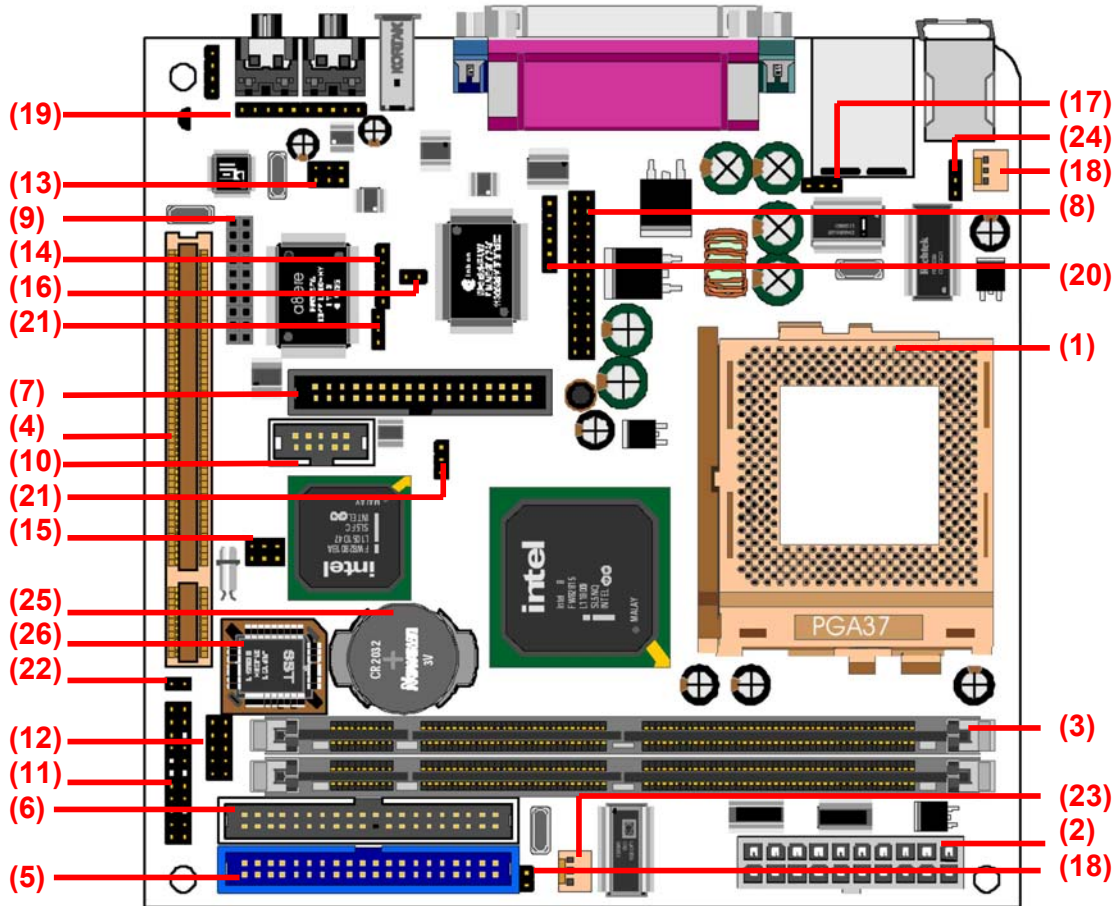
Mini-Flex ATX Socket 370
PC133 Motherboard
with Integrated SVGA,
Intel PRO/100+ LAN, AC97
3D Audio, IEEE 1394 Interfaces



Specifications

Form Factor	Mini-Flex ATX / Mini-ITX Motherboard, 170 x 170 mm (W x L)
CPU	Socket 370 Intel Pentium-III / Celeron, VIA C3 CPU supported up to 1.26 GHz and above at 66/100/133 MHz FSB Intel Coppermine FC-PGA, Tualatin FC-PGA2 CPU supported
Memory	Two 168-pin DIMM slots support up to 512 MB PC133 SDRAM
Chipset	Intel 815E & ICH2 chipset, B-step for Tualatin CPU supported
Real Time Clock	Intel ICH2 integrated RTC with onboard lithium battery
Expansive Slot	1 x PCI expansive slot
PCI Enhanced IDE	Dual UltraATA/100 IDE channels up to 4 ATAPI devices
VGA Interface	Intel 815E chipset built-in SVGA controller with 3D/2D engine External DB15 female connector for VGA display
LAN Interface	Onboard Intel PRO/100+ LAN interface, Intel ICH2 chipset with 82562ET 10Base-T/100Base-TX auto-switching, IEEE802.3U compliant
Audio Interface	AC97 3D audio interface with line-in, line-out, CD-in, Mic-in
1394 Interface	Onboard IEEE 1394 interface with Agere 1394 controller Supports 100/200/400 Mbps of data transfer rate
Multiple I/O Port	Intel ICH2 and Winbond LPC super I/O controller 4 x USB ports (two external and two internal USB ports) 2 x RS-232C serial ports (one external and one internal) 1 x FDD port, 1 x PS/2 keyboard / mouse ports
External I/O Port	PS/2 keyboard and mouse RJ45 LAN, dual USB DB25 female parallel port, DB9 male COM1, DB15 female VGA 1394, audio Line-in/out
Power Requirement	Standard ATX power supply
Power Management	ACPI 1.0 compliant, supports power saving mode with ATX PSU
Board Dimension	170 x 170 mm or 6.7 x 6.7 inches
Operation Temperature	0 ~ 60 ^o C (32 ~ 140 ^o F)

Jumper and Connector Location



- | | |
|--|---|
| 1. PGA370 CPU Socket (PGA370) | 14. Infrared (IR) Connector (J16) |
| 2. ATX Power Connector (J27) | 15. For ICH2 GPIO Pin (J35/J36) |
| 3. DIMM Sockets (DIMM1~2) | 16. Case Open Connector (J25) |
| 4. PCI Connector (PC11) | 17. LAN LED Connector (J37) |
| 5. IDE Connector (IDE1) | 18. Fan Connector (FAN2/FAN3) |
| 6. IDE Connector (IDE2) | 19. Audio Connector (JP9/JP1/JP4) |
| 7. Floppy Drive Connector (FLP1) | 20. PS/2 Mouse & Keyboard Connectors (JP13) |
| 8. Digital Video Output Port (J26) | 21. Clear CMOS and PSW (J9/J3) |
| 9. CNR Connector (JP12) | 22. Book Block Protect (J8) |
| 10. Serial COM2 Port (JP6) | 23. IDE Vcc (J34) |
| 11. Front Panel Connector (J29) | 24. PS/2 Keyboard & Mouse Power-On (JP11) |
| 12. Internal USB Ports Connector (J17) | 25. RTC Battery |
| 13. 1394 Port (JP7) | 26. BIOS Flash |