

LS-563

**Single Board Computer
User's Manual
Edition 1.1**

2004/3/26

Copyright

Copyright© 2003 - 2004. All rights reserved. This document is copyrighted and all rights are reserved. The information in this document is subject to change without prior notice to make improvements to the products.

This document contains proprietary information and protected by copyright. No part of this document may be reproduced, copied, or translated in any form or any means without prior written permission of the manufacturer.

All trademarks and/or registered trademarks contains in this document are property of their respective owners.

Disclaimer

The company shall not be liable for any incidental or consequential damages resulting from the performance or use of this product.

The company does not issue a warranty of any kind, express or implied, including without limitation implied warranties of merchantability or fitness for a particular purpose.

The company has the right to revise the manual or include changes in the specifications of the product described within it at any time without notice and without obligation to notify any person of such revision or changes.

Trademark

All trademarks are the property of their respective holders.

Any questions please visit our website at <http://www.anso.com>

Packing List

Hardware

LS-563 Motherboard..... X 1

Cable Kit

UltraATA/100 IDE cable..... X 1



Floppy cable X 1



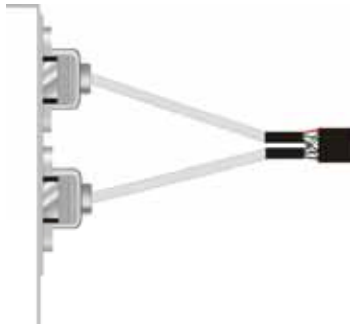
Quad COM ports DB9 male cable X 1



Parallel Port DB25 female cable..... X 2



Dual USB ports cable X 1



PS/2 Keyboard and mouse cable X 1



VGA DB15 female cable..... X 1



20-pin 16-bit GPIO cable X 1



Audio cable..... X 1



RJ45 LAN port cable..... X 1



AV and S-Video TV-out cable (LS-563VTL only)..... X 1

Printed Matter and Software

User's manual..... X 1

Driver CD..... X 1

Index

Chapter 1 < Introduction >.....	7
1.1 Product Overview.....	7
1.2 < Product Specification >	8
1.3 < Component Placement >	11
1.4 < Block Diagram >	12
Chapter 2 < Hardware Setup >.....	13
2.1 < Connector Location >.....	13
2.2 < Jumper Location & Reference >	14
2.3 < Connector Reference >.....	15
2.4 < CPU and DRAM setting >	16
2.5 < CMOS Setting >.....	16
2.6 < Watchdog Timer Setting >.....	17
2.7 < Embedded Flash Disk >.....	18
2.6 < Power & Fan Connector >.....	19
2.7 < Display Interfaces >	20
2.7.1 Standard Analog VGA Interface	20
2.7.2 Digital VGA Interface	21
2.7.3 < TV-out Interface >	25
2.8 < Ethernet Interface >	26
2.9 < Audio Interface >.....	27
2.10 < Multi I/O Port >.....	28
2.10.1 < Serial Ports >.....	28
2.10.2 < GPIO Interface >	29
2.11 < Expansive Bus Interface >	30
2.11.1 < PCI bus interface >	30
2.11.2 < PC/104+ Interface >	31
2.12 < Switch and Indicator >	32

Chapter 3 < BIOS Setup >.....	33
Chapter 4 < Driver Installation >.....	35
Appendix A < I/O Ports Pin Assignment >.....	36
A.1 < IDE port >	36
A.2 < Floppy Port >	38
A.3 < Parallel Port >.....	39
A.4 < Serial Port >.....	40
A.5 < USB Port >	41
A.6 < IrDA Port >.....	41
A.7 < PS/2 Keyboard and Mouse Port >	41
Appendix B < BIOS Flash Information >.....	43
B.1 < BIOS Flash Tool >	43
B.2 < Flash Method >.....	43
Appendix C < System Resource >	45
C.1 I/O Port Address Map	45
C.2 < Memory Address Map >	46
C.3 < IRQ and DMA Resource >.....	47
Contact Information	49

Chapter 1 < Introduction >

1.1 Product Overview

The **LS-563** SBC (Single Board Computer) is an all-in-one industrial 5.25" drive-size EBX-compliant motherboard computer based on Intel socket 370 architecture, supports Intel Tualatin/Coppermine FC-PGA2, FC-PGA Pentium-III / Celeron and VIA C3 Samuel I/II, Ezra CPU up to 1.4 GHz at 66, 100, 133 MHz of FSB with PC100/133 SDRAM. Based on value VIA/S3 Twister-T PN133T chipset with VIA 8606T north-bridge and 686B south-bridge, the **LS-563** supports the Intel and VIA latest socket 370 based CPU, 512 MB PC133 SDRAM and VIA/S3 Savage4 3D SVGA core with BIOS selectable 8/16/32 MB video memory shard with system memory.

To be the requirement of multi-media computing platform, the **LS-563** also offers the LVDS/TTL TFT/DSTN LCD interface and optional AV and S-video TV-out at NTSC/PAL mode. The onboard Fast Ethernet, PC/104 and PC/104-plus, 4 COM / 2 LPT ports, 2 USB ports and 16-bit GPIO port also provides the interfaces for embedded peripherals for the POS/POI, Kiosk, ATM, and Panel PC, industrial workstation, node terminal, transaction station and industrial embedded application.

With these features, **LS-563** should be the value, powerful and all-in-one integration solution including, but not limited to the following.

Value Advanced Computing Platform

Intel latest Tualatin Pentium-III / Celeron and VIA C3 CPU up to 1.4 GHz with 133 MHz FSB, 512 MB PC133 SDRAM of system memory for high-end industrial computing platform with high CPU and memory loading.

LVDS/TTL TFT/DSTN LCD Interface

VIA/S3 Twister-T integrated S3 Savage4 3D SVGA core, BIOS selectable 8/16/32 MB of video memory shared with system memory, and 2 x 18-bit LVDS / TTL TFT/DSTN LCD interface offers the value and performance solution for the LCD-based multi-media applications.

Multiple I/O Port and Solid State Disk Interface

Onboard 4 COM, 2 parallel, 2 USB and 16-bit GPIO ports offer the interface for industrial embedded peripherals and application. The DiskOnChip socket and IDE-based DiskOnModule (DOM) interface provides the SSD (Solid State Disk) with flash disk for disk free and embedded OS based application.

1.2 < Product Specification >

General Specification

Form Factor	5.25" drive-size EBX compliant single board computer
CPU	Socket 370 Intel Pentium-III / Celeron, VIA C3 CPU Up to 1.4 GHz at 66/100/133 MHz of FSB Intel Tualatin / Coppermine FC-PGA2 / FC-PGA CPU and VIA C3 Samuel I/II, Ezra CPU
Chipset	VIA Twister-T PN133T with 8606T and 686B
DRAM	One 168-pin DIMM socket supports up to 512MB PC100/133 SDRAM
BIOS	Phoenix-Award 2Mb PnP flash BIOS
Enhanced IDE	PCI enhanced IDE interface supports dual ports up to 4 ATAPI devices with UltraATA/100 supported One 40-pin IDE1 and one 44-pin IDE2 box header
Green Function	Power saving mode supported in BIOS with DOZE, STANDBY and SUSPEND modes. ACPI version 1.0 and APM version 1.2 compliant
Watchdog Timer	6-level generates NMI or system reset programmable watchdog timer
Real Time Clock	VIA 686B built-in RTC with onboard lithium battery

Multi-I/O Port

Chipset	VIA 686B built-in super I/O controller Winbond W83977EF-AW for COM3/4 and LPT2 Ports
Serial Port	Three RS-232 serial port COM1/3/4 and one jumper selectable RS-232/422/485 serial port COM2. Both with 16C550 compatible UART and 16 bytes FIFO
Parallel Port	Two bi-direction parallel port with SPP/ECP/EPP mode
USB Port	Two USB ports with USB version 1.1 compliant
GPIO Port	One 16-bit programmable general purpose I/O port
Floppy Port	One floppy port supports up to two FDD
IrDA Port	One IrDA compliant Infrared interface supports SIR
K/B & Mouse	PS/2 keyboard and mouse port

Expansive Interface

PCI Bus	One 32-bit/33 MHz PCI slot with 3 x bus master PCI via an additional riser card
PC/104-plus	One 120-pin 32-bit PCI-based PC/104-plus interface One 104-pin 8-/16-bit ISA-based PC/104 interface

Solid State Disk Interface

Flash Type	M-systems DiskOnChip2000 Millennium flash disk
Package	Single chip flash disk in 32-pin DIP JEDEC
Capacity	8M to 1GBytes of flash memory for DiskOnChip
Data Reliability	ECC / EDC data protection
Memory Window	8 KBytes of memory window

Display Interface

Chipset	VIA/S3 Twister-T PN133T chipset built-in S3 Savage4 SVGA controller with 128-bit 3D/2D engine
Video Memory	BIOS selectable 8/16/32MBytes of video memory shared with system memory
Display Type	CRT and LCD monitor LVDS/TTL TFT/DSTN Color LCD
Display Mode	VGA, SVGA, XGA, SXGA, UXGA Up to 1920 x 1440 of resolution for CRT monitor
LCD Interface	36-bit TFT/DSTN LCD interface with 256 gray shade Integrated 2-channel 110 MHz LVDS interface Support up to 1280 x 1024 of resolution
Connector	Onboard 16-pin header connector for CRT Onboard 50-pin header connector for TTL LCD Onboard 2 x 20-pin Hirose DF13-20DP-1.25V for LVDS

Ethernet Interface

Chipset	PCI RTL8100B Fast Ethernet controller
Type	10Base-T / 100Base-TX, auto-switching Fast Ethernet, full duplex, IEEE802.3U compliant
Connector	Onboard 10-pin header connector

Audio Interface

Chipset	VIA 686B built-in AC97 3D audio controller with codec
Interface	Line-in, line-out, MIC-in and CD-in
Connector	Onboard 10-pin header for line-in, line-out and MIC-in Onboard 4-pin header for CD-in

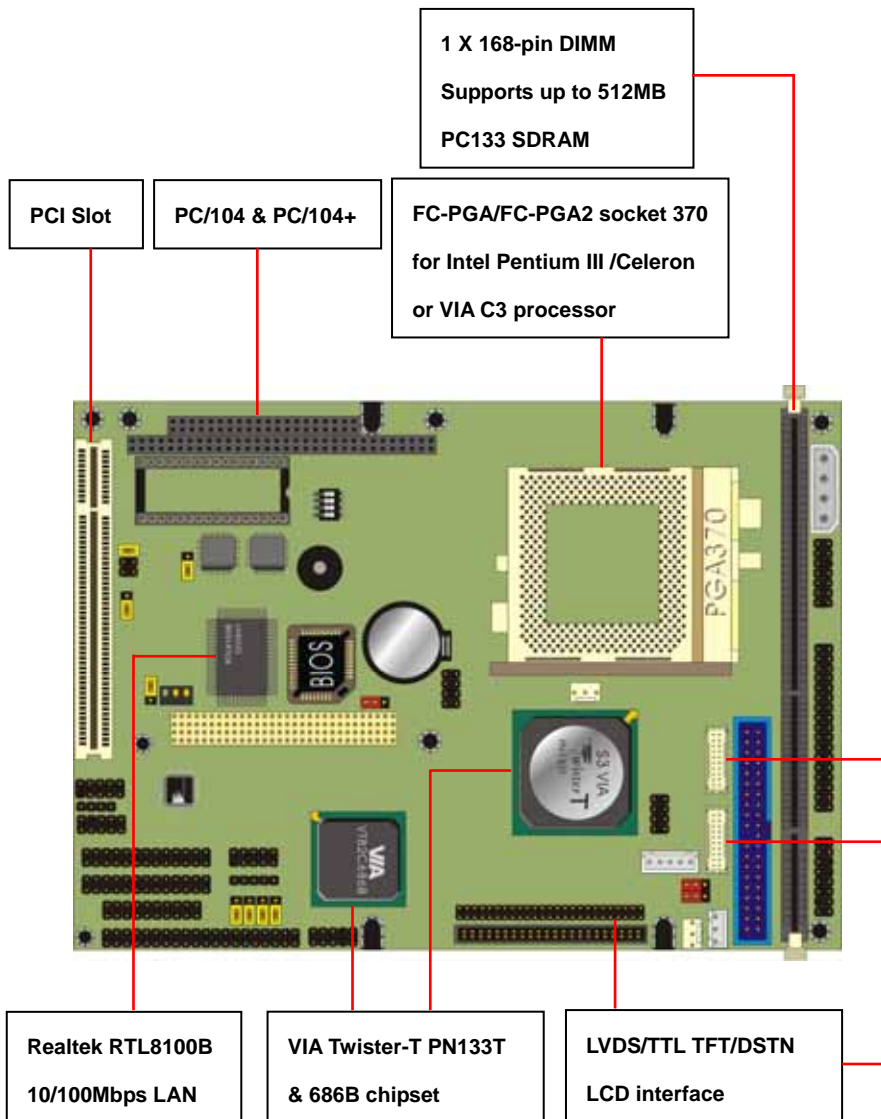
Power and Environment

Power Req.	+5V, +12V DC input +5V @ 4.2A typically with Intel Socket 370 FC-PGA Pentium-III 866 MHz CPU and 128 MB PC133 SDRAM
ATX Function	One 3-pin ATX interface with 5V standby
Dimension	146 x 203 mm or 5.75" x 8" (L x W), standard EBX size
Weight	0.30 Kg (Board only)
Temperature	Operating within 0 ~ 60°C (32 ~ 140°F) Storage within -20 ~ 85°C (-4 ~ 185°F)

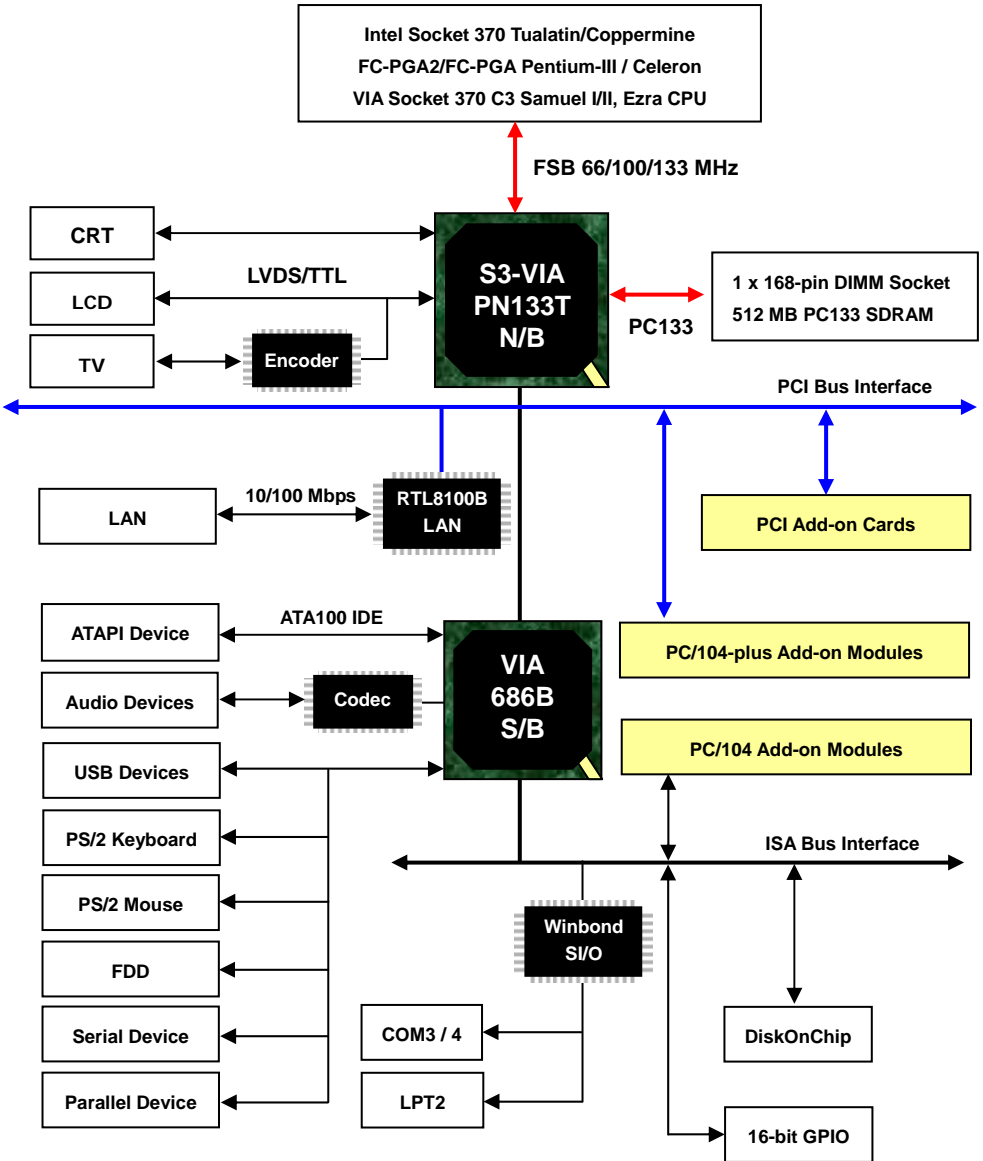
Ordering Code

LS-563VXL	5.25" Drive-size Socket 370 Tualatin EBX single board computer with LVDS/TTL TFT/DSTN LCD / CRT SVGA, Audio, LAN, PC/104-plus and 4 COM, 2 LPT, 16-bit GPIO and DiskOnChip Socket
LS-563VTL	5.25" Drive-size Socket 370 Tualatin EBX single board computer with CRT SVGA, AV & S-Video TV-out , Audio, LAN, PC/104-plus and 4 COM, 2 LPT, 16-bit GPIO and DiskOnChip Socket
OEM Version	Other Configuration based on LS-563 with Optional / Removable Interface

1.3 < Component Placement >



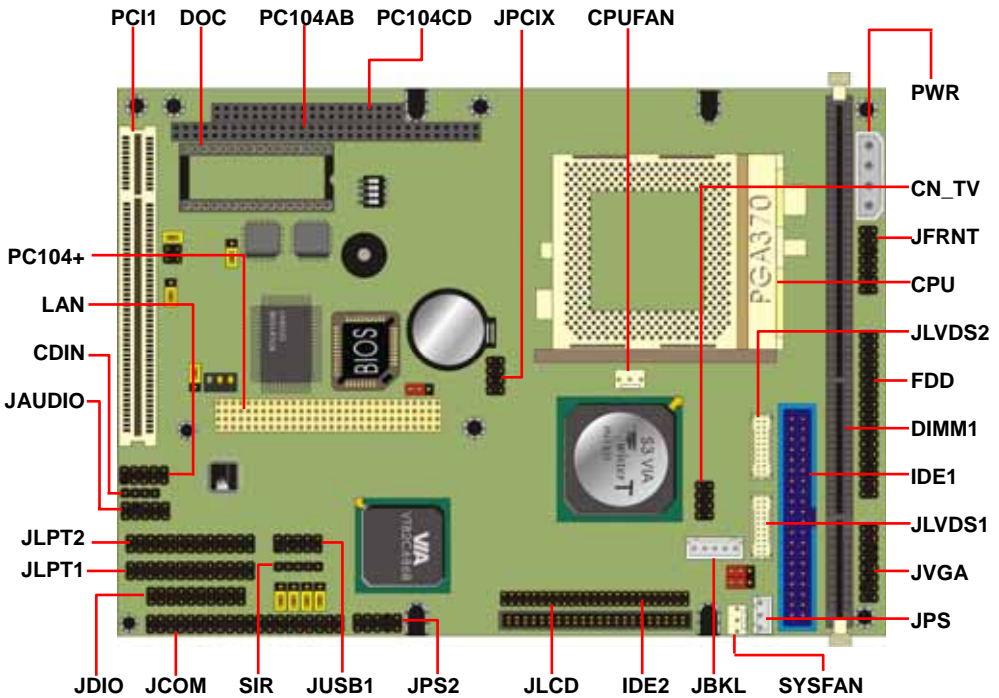
1.4 < Block Diagram >



Chapter 2 < Hardware Setup >

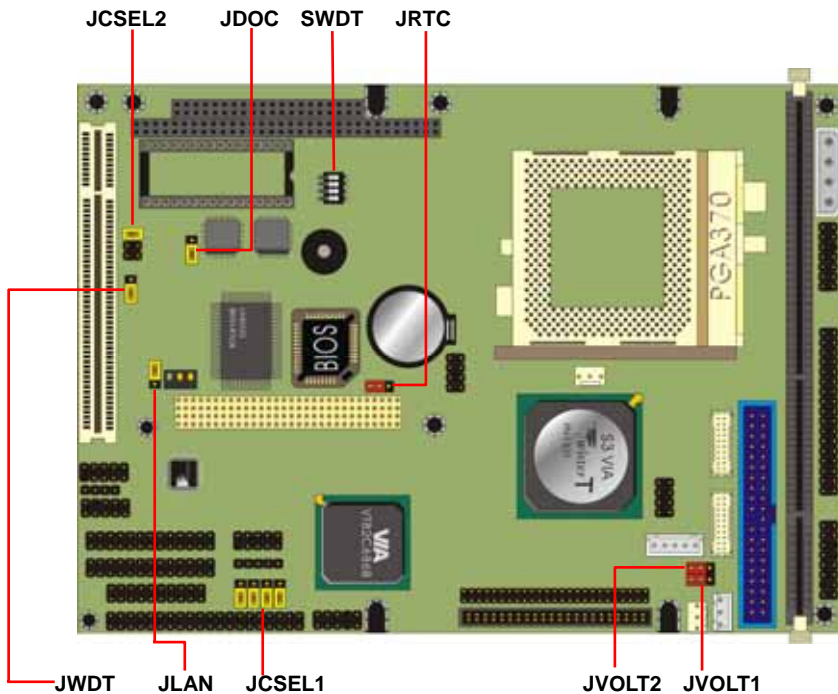
This chapter contains the information for the installation of hardware. The install procedure includes jumper settings, CPU and memory installation, fan, I/O and panel connections.

2.1 < Connector Location >



2.2 < Jumper Location & Reference >

Jumper	Function
JRTC	CMOS Setting
JWDT	Watchdog Timer Mode Setting
SWDT	Time Out Value of Watchdog Timer Setting
JDOC	DiskOnChip Address Setting
JVOLT1	Flat Panel's Voltage Setting
JVOLT2	Flat Panel's Power Setting
JLAN	LAN Enable/Disable Setting
JCSEL1	COM2 RS-232/422/485 Mode Setting
JCSEL2	COM2 RS-232/422/485 Mode Setting



2.3 < Connector Reference >

Connector	Function	Remark
CPU	CPU Socket PGA370	Standard
DIMM1	168-pin DIMM Socket	Standard
IDE1	40-pin Primary IDE Port	Standard
IDE2	44-pin Secondary IDE Port	Standard
FDD	34-pin Floppy Port	Standard
LPT1	26-pin Primary Parallel Port	Standard
LPT2	26-pin Secondary Parallel Port	Standard
JUSB1	10-pin 1st / 2nd USB Port	Standard
JCOM	40-pin COM1/2/3/4 RS232 Serial Port	Standard
JDIO	20-pin 16-bit GPIO Port	Standard
DOC	32-pin DiskOnChip Socket	Standard
JPS2	10-pin PS/2 Keyboard / Mouse Connector	Standard
SIR	5-pin SIR IrDA Port	Standard
PWR	4-pin AT Power Connector	Standard
JPS	3-pin ATX Signal Connector	Standard
JFRNT	14-pin Front Panel Connector	Standard
CPUFAN	3-pin CPU Fan Connector	Standard
SYSFAN	3-pin System Fan Connector	Standard
JVGA	16-pin Internal VGA Port	Standard
JAUDIO	10-pin Audio Port	Standard
CDIN	4-pin CD-in Interface	Standard
LAN	10-pin LAN Port Connector	Standard
JBKL	5-pin Backlight Inverter power connector	VXL Only
JLCD	50-pin TTL LCD Interface	VXL Only
JLVDS1, JLVDS2	20-pin LVDS LCD Interface	VXL Only
CN_TV	TV-out Interface	VTL Only
PCI1	32-bit PCI Slot	Standard
JPCIX	10-pin PCI Expansive Signal Header	Standard
PC104AB/CD	104-pin PC/104 Connector	Standard
PC104P	120-pin PC/104-plus Connector	Standard

2.4 < CPU and DRAM setting >

The board is based on Intel socket 370 Pentium-III / Celeron architecture supports Intel FC-PGA and VIA C3 CPUs at 66/100/133 MHz of FSB. The FSB, ratio and voltage of CPU is default set by CPU without any additional jumper selection. The CPU should be installed into the CPU ZIF socket.

The board supports PC100/133 SDRAM up to 512 Mbytes of memory capacity on one 168-pin DIMM socket DIMM1.

2.5 < CMOS Setting >

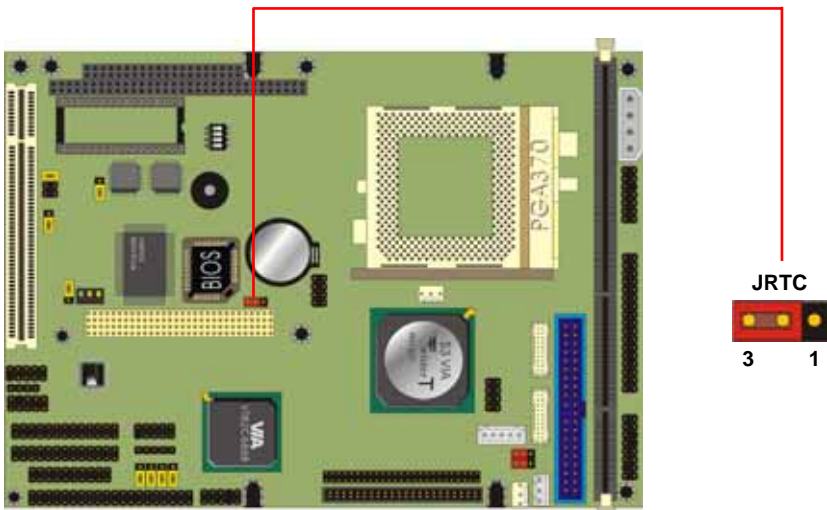
The board's data of CMOS can be setting in BIOS. If the board refuses to boot due to inappropriate CMOS settings, here is how to proceed to clear (reset) the CMOS to its default values.

Jumper: **JRTC**

Type: onboard 3-pin header

JRTC	Mode
1-2	Clear CMOS
2-3	Normal Operation

Default setting



2.6 < Watchdog Timer Setting >

The watchdog timer makes the systems auto-reset while it stops to work for a period. The onboard watchdog timer can be set as system reset or active NMI mode by jumper JWDT; the timeout value can be set as 1, 2, 10, 20, 110, or 220 seconds by jumper SWDT.

Jumper: **JWDT**

Type: onboard 3-pin header

JWDT	Watchdog Timer
1-2	Active NMI
2-3	Reset

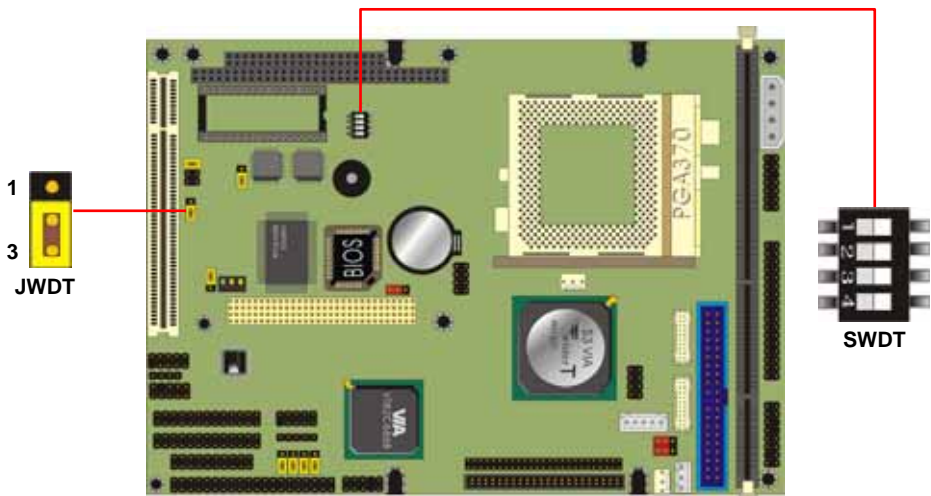
Default setting

Jumper: **SWDT**

Type: onboard 4-button / 2-level DIP switch

Timeout Value	SWDT	1	2	3	4
1 Second		OFF	OFF	ON	OFF
2 Seconds		OFF	OFF	ON	ON
10 Seconds		OFF	ON	OFF	OFF
20 Seconds		OFF	ON	OFF	ON
110 Seconds		ON	OFF	OFF	OFF
220 Seconds		ON	OFF	OFF	ON

Default setting



2.7 < Embedded Flash Disk >

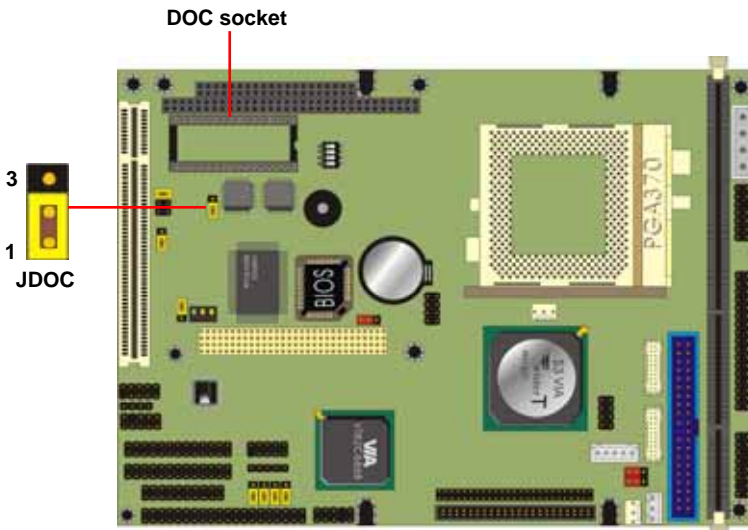
The board supports both of 32-pin [DiskOnChip 2000](#) and [DiskOnChip IDE Pro](#) or DOM (DiskOnModule) embedded flash disk. The onboard 32-pin socket, DOC, supports DiskOnChip2000 single chip flash disk in 32-pin DIP JEDEC with jumper selectable address on jumper JDOC; onboard 40-pin IDE1 box header and 44-pin IDE2 header support DOM (DiskOnModule) or M-systems DiskOnChip IDE Pro flash disk.

Jumper: **JDOC**

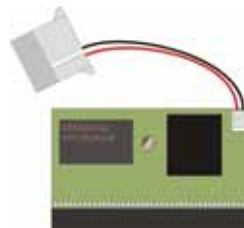
Type: onboard 4-pin header

JDOC	DiskOnChip Address
1-2	D000h
2-3	D800h

Default setting



Optional DiskOnChip



Optional DiskOnModule

2.6 < Power & Fan Connector >

This board needs a standard 4-pin 5V/12V power connector from a standard AT/ATX power supply. The connector JPS can let the board work as ATX system. The Board also provides one CPU fan connector and one system fan connector.

Connector: **PWR**

Type: 4-pin AT power connector

Pin	Description	Cable Color Reference
1	+12V	Yellow
2	Ground	Black
3	Ground	Black
4	+5V	Red

Connector: **JPS**

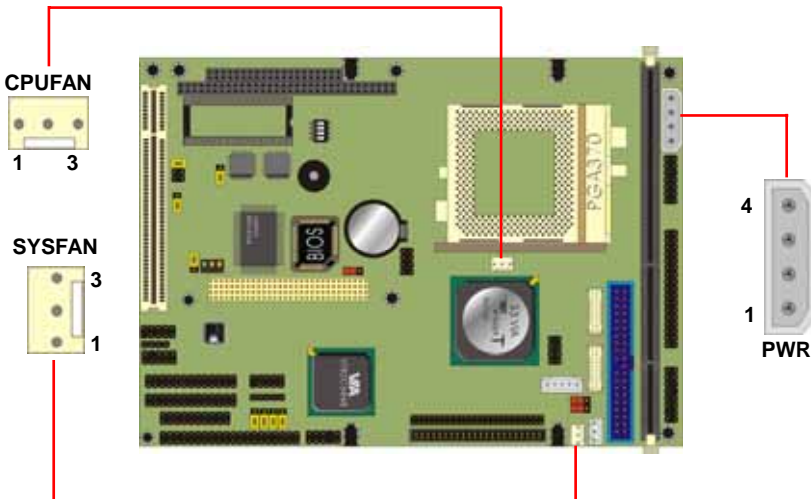
Type: 3-pin ATX function connector

Pin	Description	Pin	Description	Pin	Description
1	5V Standby	2	Ground	3	Power On

Connector: **CPUFAN, SYSFAN**

Type: 3-pin fan power wafer connector

Pin	Description	Pin	Description	Pin	Description
1	Ground	2	+12V	3	Fan Control



2.7 < Display Interfaces >

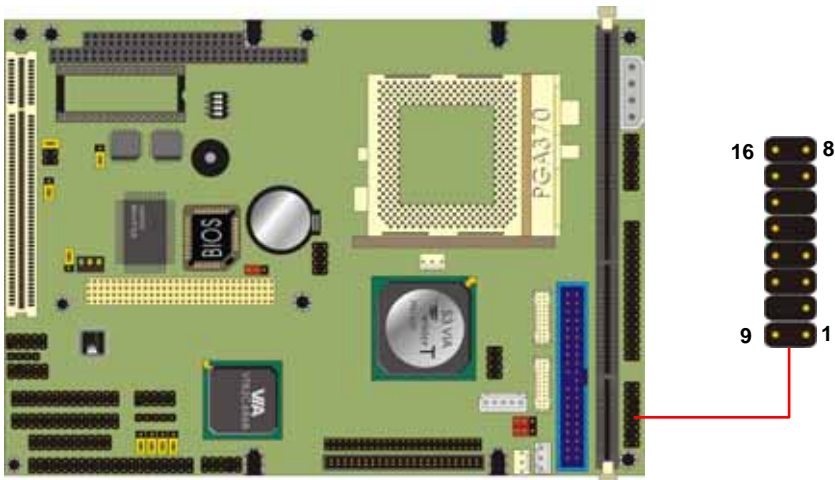
2.7.1 Standard Analog VGA Interface

The board is integrated with VIA/S3 Twister-T PN133T chipset built-in S3 Savage4 3D SVGA core with BIOS selectable 8/16/32MBytes video memory shared with system memory.

Connector: **JVGA**

Type: 16-pin (2 x 8) 2.54-pitch pin header

Pin	Description	Pin	Description
1	Red	9	Green
2	Blue	10	N/C
3	Ground	11	Ground
4	Ground	12	Ground
5	N/C	13	Ground
6	N/C	14	Data
7	HSYNC	15	VSYNC
8	Clock	16	N/C



2.7.2 Digital VGA Interface

The board provides an LCD Interface, VIA/S3 Twister-T PN133T 8606T chipset built-in dual channel 18-bit LVDS and TTL interface for TFT and DSTN LCD panel.

Jumper: **JVOLT1**

Type: onboard 3-pin header

JVOLT1	LCD Voltage Setting
1-2	+5V
2-3	+3.3V

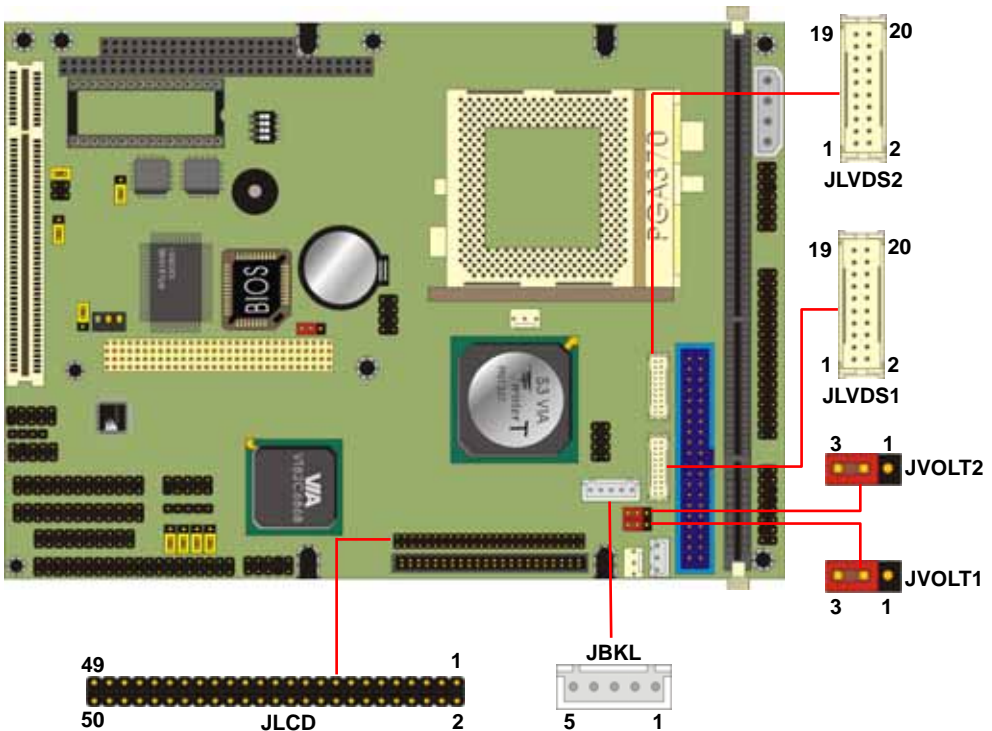
Default setting

Jumper: **JVOLT2**

Type: onboard 3-pin header

JVOLT2	LCD Power Sequence Control
1-2	Power Input Directly
2-3	Power Sequence Control by Chipset

Default setting



Connector: **JLCD (TTL TFT/DSTN LCD Interface)**

Type: onboard 50-pin (2 x 25) 2.0-pitch pin header

Pin	Signal	Pin	Signal
1	Ground	2	Ground
3	Ground	4	Ground
5	LCDVCC	6	LCDVCC
7	Ground	8	Ground
9	P0	10	P1
11	P2	12	P3
13	P4	14	P5
15	P6	16	P7
17	P8	18	P9
19	P10	20	P11
21	P12	22	P13
23	P14	24	P15
25	P16	26	P17
27	P18	28	P19
29	P20	30	P21
31	P22	32	P23
33	P24	34	P25
35	SHFCLK	36	FLM
37	M	38	LP
39	Ground	40	Ground
41	P26	42	P27
43	P28	44	P29
45	P30	46	P31
47	P32	48	P33
49	P34	50	P35

Connector: JLVD51, JLVD52 (LVDS TFT/DSTN LCD Interface)

Type: onboard 20-pin Hirose DF13-20DP-1.25V

Pin	Signal	Pin	Signal
1	LCDVCC	2	LCDVCC
3	GND	4	GND
5	TA-	6	TA+
7	GND	8	TB-
9	TB+	10	GND
11	TC-	12	TC+
13	GND	14	TCLK-
15	TCLK+	16	GND
17	N/C	18	N/C
19	GND	20	GND

Connector: JBLK (LCD Backlight Inverter Power Connector)

Type: 5-pin wafer connector

Pin	Description
1	+12V
2	Ground
3	Ground
4	Ground
5	ENABKL

After connecting devices properly, please select panel type number in the BIOS.



BIOS Configuration for Flat Panel

The selection of display type for flat panel depends on the LCD display you use. Please entry the "Advanced Chipset Features" screen on the main screen and find the item of "Panel Type", and set it with the specification of the flat panel.

Panel Type	Support Display
00	640x480 TFT
01	800x600 TFT
02	1024x768TFT 2 pixel/clock at 32Mhz
03	1280x1024 TFT
04	640x480 DSTN
05	800x600 DSTN
06	1024x768 DSTN
07	1024x768 TFT 1 pixel/clock at 65Mhz
08	640x480 TFT
09	800x600 TFT
0A	1024x768 TFT
0B	1280x1024 TFT / pixel
0C	1400x1050 TFT
0D	800x600 DSTN
0E	1024x768 DSTN
0F	1280x1024 DSTN

Default setting

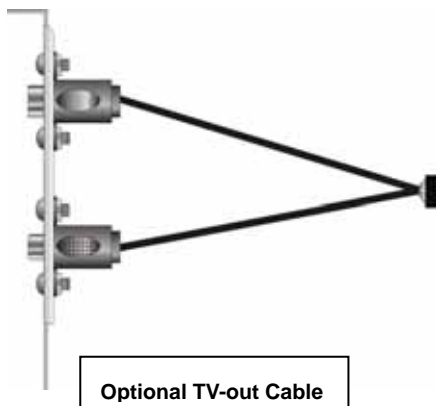
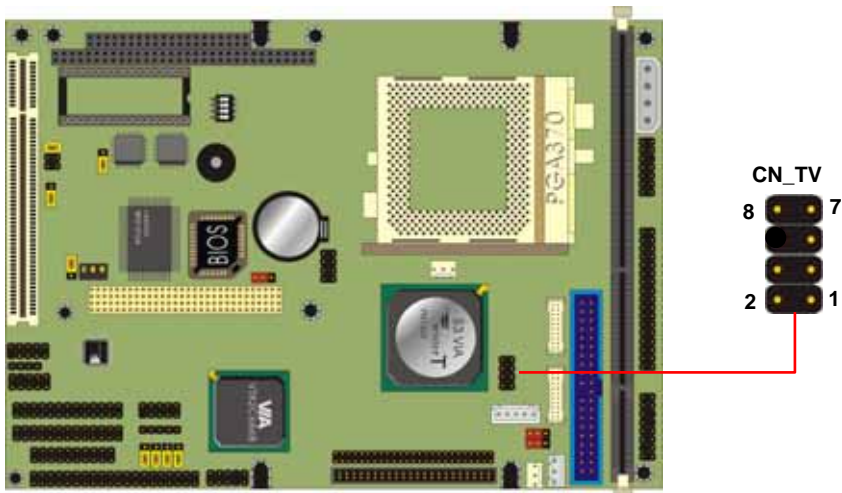
2.73 < TV-out Interface >

The board provides the **optional** AV and S-video TV-out Interface at both of PAL and NTSC mode, with VIA/S3 Twister-T PN133T 8606 chipset built-in VGA interface and VIA 1621 TV-out encoder.

Connector: **CN_TV**

Type: onboard 8-pin (2 x 4) 2.54-pitch pin header

Pin	Description	Pin	Description
1	Ground	2	TVY
3	TVC	4	Ground
5	Ground	6	N/C
7	TVCVBS	8	Ground



Optional TV-out Cable

2.8 < Ethernet Interface >

The board integrated with 10/100BASE-TX Fast Ethernet interface at the type of 10Base-T/100Base-TX auto-switching Fast Ethernet with full duplex and IEEE 802.3U compliant. The LAN controller, RTL8100B provides the powerful Fast Ethernet interface with embedded operating system (OS) supported, green function (power saving mode / wake-on-LAN) and advanced network management functions.

Jumper: **JLAN**

Type: onboard 3-pin header

JLAN	LAN Interface
1-2	Enable
2-3	Disable

Default setting

Connector: **LAN**

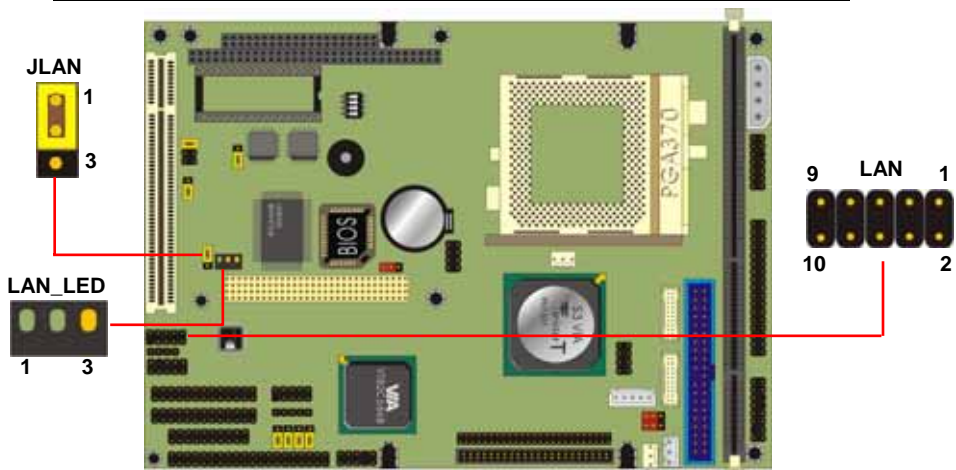
Type: 10-pin (2 x 5) 2.54-pitch header connector

Pin	Description	Pin	Description
1	TX+	2	TX-
3	RX+	4	N/C
5	N/C	6	RX-
7	N/C	8	N/C
9	Ground	10	Ground

LAN Indicator LED: **LAN_LED**

Type: 3-pin LED

Pin	1 (Green)	2 (Green)	3 (Yellow)
Description	10 Mbps Mode	100 Mbps Mode	Active Transfer



2.9 < Audio Interface >

The board integrates with AC97 3D audio interface REALTEK ALC201A code that provides line-in, line-out, MIC-in and CD-in interfaces for industrial applications with audio function.

Connector: **JAUDIO**

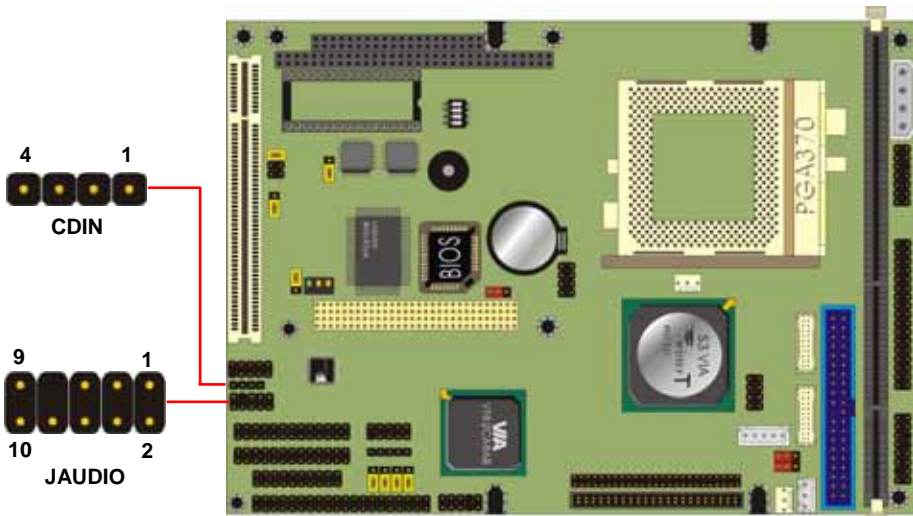
Type: 10-pin (2 x 5) 2.54-pitch pin header

Pin	Description	Pin	Description
1	Line – Right	2	Ground
3	Line – Left	4	MIC
5	MIC	6	Ground
7	N/C	8	Line Out – Left
9	Line Out – Right	10	Ground

Connector: **CDIN** (CD Audio Input Interface)

Type: 4-pin (1 x 4) 2.54-pitch pin header

Pin	Description
1	CD – LEFT
2	Ground
3	Ground
4	CD – RIGHT



2.10 < Multi I/O Port >

2.10.1 < Serial Ports >

The onboard provides 4 COM ports with RS232 mode, and the COM2 also provides RS-422/485 mode which setting is done by the jumper JCESEL1 and JCESEL2 and activates at connector JCOM.

Jumper: **JCESEL2, JCESEL1** (COM2 RS-422/485 Mode Selection)

Type: onboard 6-, 12-pin header

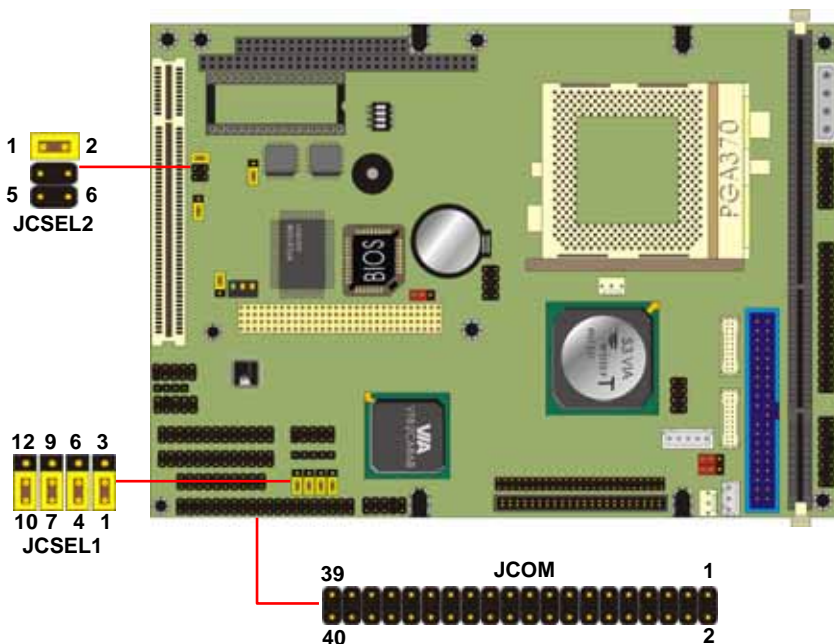
COM2 Mode	JCESEL2	JCESEL1
RS-232	1-2	1-2/4-5/7-8/10-11
RS-422	5-6	2-3/5-6/8-9/11-12
RS-485	3-4	2-3/5-6/8-9/11-12

Default setting

Connector: **Pin11~20 on JCOM** (COM2)

Type: 10-pin header

Pin	RS232	RS422	RS485	Pin	RS232	RS422	RS485
11	DCD	TX-	485-	12	RXD	TX+	485+
13	TXD	RX+	N/C	14	DTR	RX-	N/C
15	Ground	N/C	N/C	16	DSR	N/C	N/C
17	RTS	N/C	N/C	18	CTS	N/C	N/C
19	RI	N/C	N/C	20	N/C	N/C	N/C



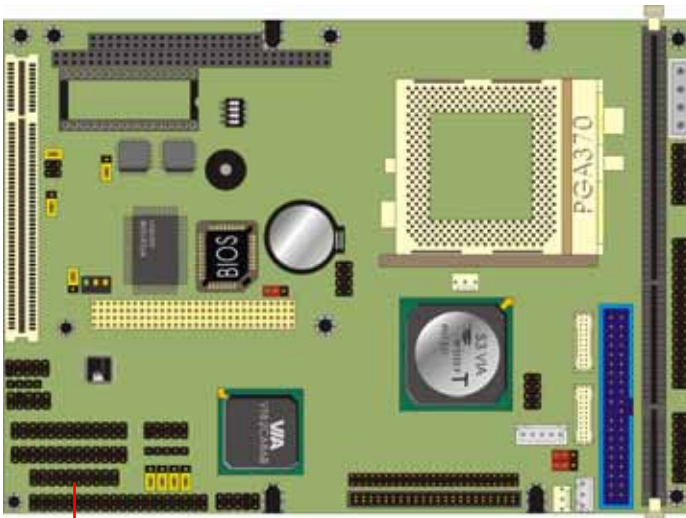
2.10.2 < GPIO Interface >

The board provides 20-pin programmable 16-bit general purpose I/O interface.

Connector: **JDIO**

Type: 20-pin (2 x 10) 2.54-pitch pin header

Pin	Description	Pin	Description
1	D/O-0	2	D/O-1
3	D/O-2	4	D/O-3
5	D/O-4	6	D/O-5
7	D/O-6	8	D/O-7
9	Ground	10	Ground
11	D/I-0	12	D/I-1
13	D/I-2	14	D/I-3
15	D/I-4	16	D/I-5
17	D/I-6	18	D/I-7
19	+5V	20	+12V



2.11 < Expansive Bus Interface >

The board offers PCI/ISA expansive bus interfaces including one PCI slot and one PC/104-plus connector.

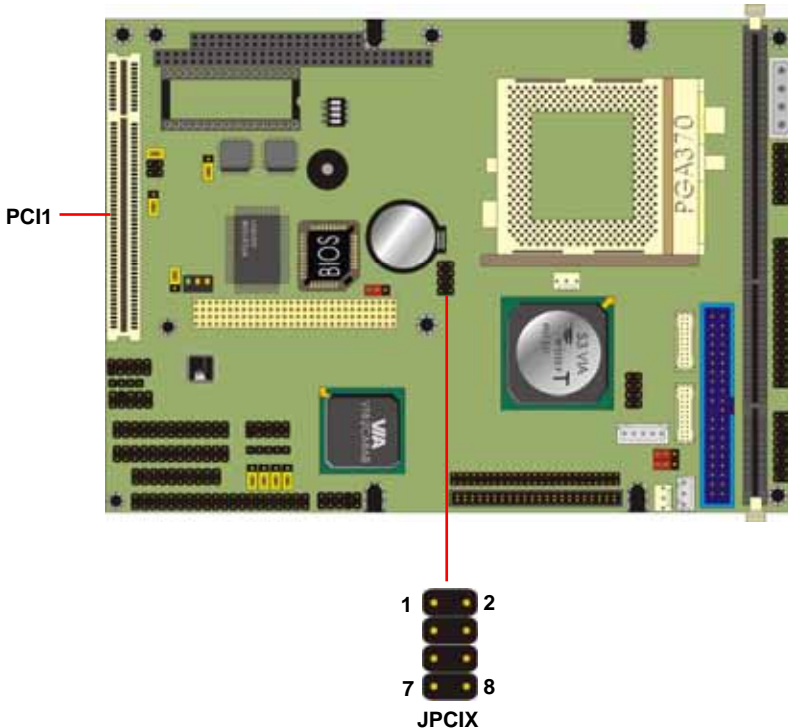
2.11.1 < PCI bus interface >

The onboard expansive PCI bus interface offers 3 sets of bus master PCI signal to support up to 3 pieces of PCI-based add-on cards via an additional riser card.

Connector: **JPCIX** (3 x Bus Master PCI Interfaces Supported)

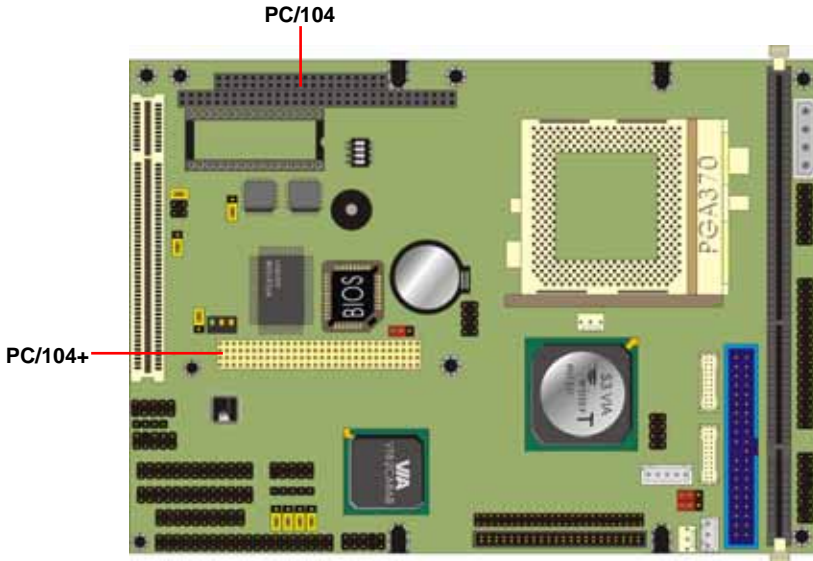
Type: 8-pin (2 x 4) 2.54-pitch pin header

Pin	Description	Pin	Description
1	N/C	2	Ground
3	PCI Clock 1	4	PCI Clock 2
5	Request 1	6	Request 2
7	Grant 1	8	Grant 2



2.11.2 < PC/104+ Interface >

The onboard PC/104-plus interface includes 32-bit PCI-based 120-pin PC/104-plus interface and 16-bit ISA-based PC/104 interface. There is one set of bus master PCI signal is supported on the onboard PC/104-plus interface.

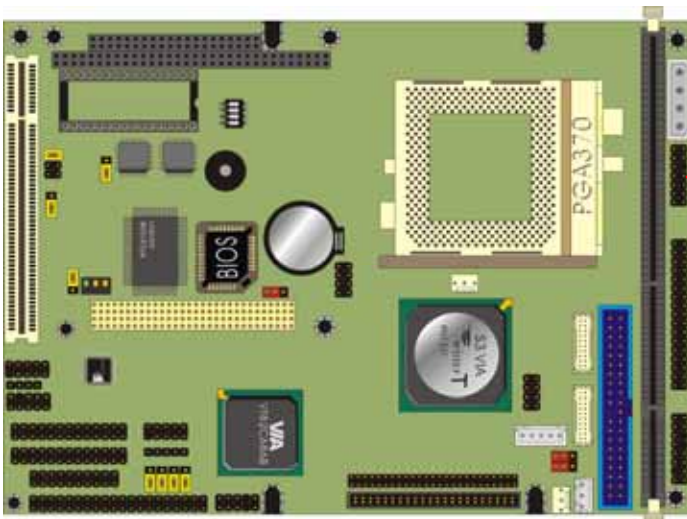


2.12 < Switch and Indicator >

Connector: **JFRNT**

Type: onboard 14-pin (2 x 7) 2.54-pitch pin header

Function	Signal	PIN		Signal	Function	
SPEAKER	SPEAK	14		13	Ground	Power
	N/C	12		11	PW_BN	Button
	N/C	10		9	N/C	
	VCC	8		7	Ground	Reset
PWRLED	Ground	6		5	RST_SW	
	N/C	4		3	HD_LED	HDD LED
	PW_LED	2		1	VCC	



Chapter 3 < BIOS Setup >

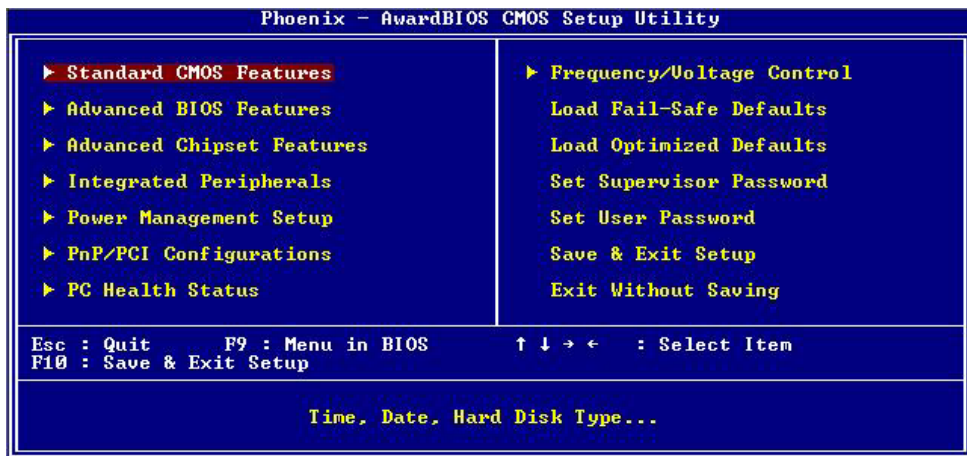
The single board computer uses the Award BIOS for the system configuration. The Award BIOS in the single board computer is a customized version of the industrial standard BIOS for IBM PC AT-compatible computers. It supports Intel x86 and compatible CPU architecture based processors and computers. The BIOS provides critical low-level support for the system central processing, memory and I/O sub-systems.

The BIOS setup program of the single board computer let the customers modify the basic configuration setting. The settings are stored in a dedicated battery-backed memory, NVRAM, retains the information when the power is turned off. If the battery runs out of the power, then the settings of BIOS will come back to the default setting.

The BIOS section of the manual is subject to change without notice and is provided here for reference purpose only. The settings and configurations of the BIOS are current at the time of print, and therefore they may not be exactly the same as that displayed on your screen.

To activate CMOS Setup program, press key immediately after you turn on the system. The following message "Press DEL to enter SETUP" should appear in the lower left hand corner of your screen. When you enter the CMOS Setup Utility, the Main Menu will be displayed as **Figure 3-1**. You can use arrow keys to select your function, press <Enter> key to accept the selection and enter the sub-menu.

Figure 3-1. CMOS Setup Utility Main Screen



(This Page is Left for Blank)

(This Page is Left for Blank)

Chapter 4 < Driver Installation >

The driver CD offers auto-run menu. It will detect and select the type of single board computer and helps you install the drivers automatically.

Install Chipset Driver

The selection helps you to install the INF of related chipset interface.

Install VGA Driver

The selection helps you to install the driver of onboard VGA interface.

Install LAN Driver

The selection helps you to install the driver of onboard LAN interface.

Install Audio Driver

The selection helps you to install the driver of onboard audio interface.

Link to < Website > Homepage

The selection helps you to link to the website to find the updated technical documents and download directly.

Browse this CD

The selection helps you to find the drivers in this CD directly.

Appendix A < I/O Ports Pin Assignment >

A.1 < IDE port >

Connector: IDE1

Type: 40-pin box header



Pin	Description	Pin	Description
1	Reset	2	Ground
3	D7	4	D8
5	D6	6	D9
7	D5	8	D10
9	D4	10	D11
11	D3	12	D12
13	D2	14	D13
15	D1	16	D14
17	D0	18	D15
19	Ground	20	N/C
21	REQ	22	Ground
23	IOW-/STOP	24	Ground
25	IOR-/HDMARDY	26	Ground
27	IORDY/DDMARDY	28	IDESEL
29	DACK-	30	Ground
31	IRQ	32	N/C
33	A1	34	CBLID
35	A0	36	A2
37	CS0 (MASTER CS)	38	CS1 (SLAVE CS)
39	LED ACT-	40	Ground

Connector: **IDE2**

Type: 44-pin (2 x 22) 2.0-pitch box header



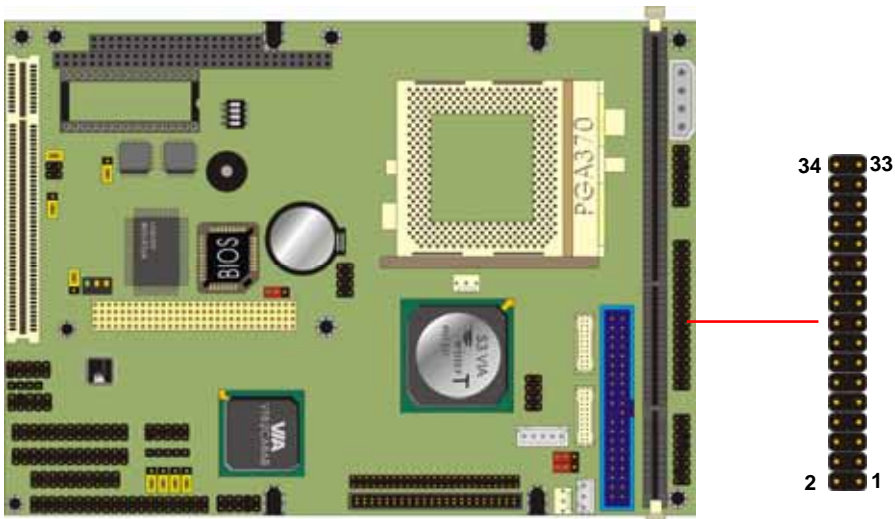
Pin	Description	Pin	Description
1	Reset	2	Ground
3	D7	4	D8
5	D6	6	D9
7	D5	8	D10
9	D4	10	D11
11	D3	12	D12
13	D2	14	D13
15	D1	16	D14
17	D0	18	D15
19	Ground	20	N/C
21	REQ	22	Ground
23	IOW-/STOP	24	Ground
25	IOR-/HDMARDY	26	Ground
27	IRDY/DDMARDY	28	Ground
29	DACK-	30	Ground
31	IRQ	32	N/C
33	A1	34	SD
35	A0	36	A2
37	CS1	38	CS3
39	ASP1	40	Ground
41	Vcc	42	Vcc
43	Ground	44	Ground

A.2 < Floppy Port >

Connector: FDD

Type: 34-pin (2x 17) 2.54-pitch pin header

Pin	Description	Pin	Description
1	Ground	2	DRIVE DENSITY SELECT 0
3	Ground	4	DRIVE DENSITY SELECT 1
5	Ground	6	N/C
7	Ground	8	INDEX-
9	Ground	10	MOTOR ENABLE A-
11	Ground	12	DRIVER SELECT B-
13	Ground	14	DRIVER SELECT A-
15	Ground	16	MOTOR ENABLE B-
17	Ground	18	DIRECTION-
19	Ground	20	STEP-
21	Ground	22	WRITE DATA-
23	Ground	24	WRITE GATE-
25	Ground	26	TRACK 0-
27	Ground	28	WRITE PROTECT-
29	Ground	30	READ DATA-
31	Ground	32	HEAD SELECT-
33	Ground	34	DISK CHANGE-

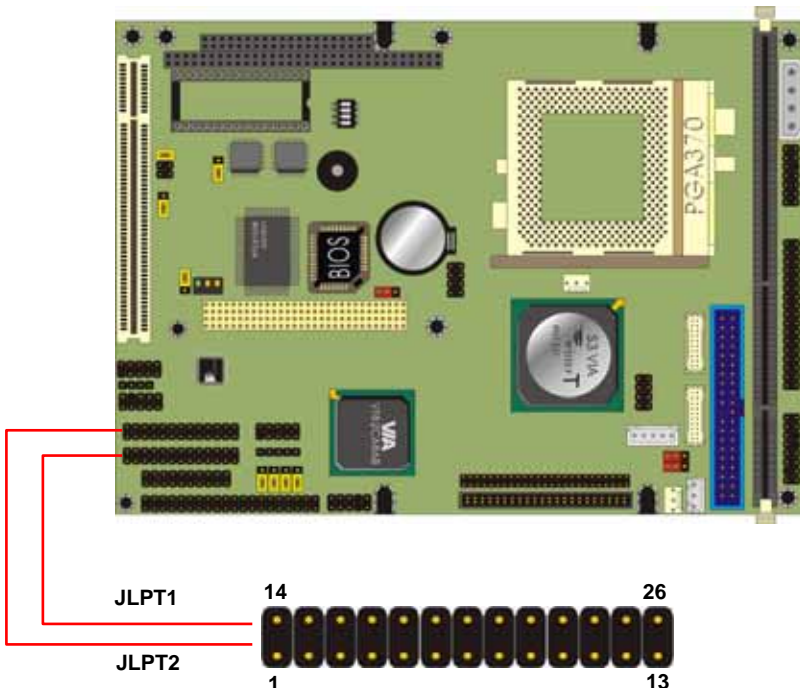


A.3 < Parallel Port >

Connector: **JLPT1, JLPT2**

Type: 26-pin (2 x 13) 2.54-pitch pin header

Pin	Description	Pin	Description
1	STROBE-	14	AUTO FEED-
2	D0	15	ERROR-
3	D1	16	INITIALIZE-
4	D2	17	SELECT INPUT-
5	D3	18	Ground
6	D4	19	Ground
7	D5	20	Ground
8	D6	21	Ground
9	D7	22	Ground
10	ACKNOWLEDGE-	23	Ground
11	BUSY	24	Ground
12	PAPER EMPTY	25	Ground
13	SELECT+	26	N/C

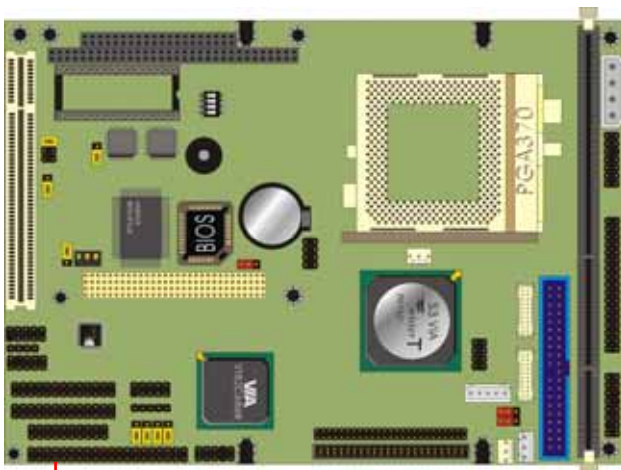


A.4 < Serial Port >

Connector: **JCOM**

Type: 40-pin (2 x 20) 2.54-pitch pin header

Pin	Description	Pin	Description
1	DCD1	2	RXD1
3	TXD1	4	DTR1
5	Ground	6	DSR1
7	RTS1	8	CTS1
9	RI1	10	N/C
11	DCDBTXC1-	12	SINBTXC
13	SOUTBRXC	14	DTRBRC-
15	Ground	16	DSR2
17	RTS2	18	CTS2
19	RI2	20	N/C
21	DCD3	22	RXD3
23	TXD3	24	DTR3
25	Ground	26	DSR3
27	RTS3	28	CTS3
29	RI3	30	N/C
31	DCD4	32	RXD4
33	TXD4	34	DTR4
35	Ground	36	DSR4
37	RTS4	38	CTS4
39	RI4	40	N/C



A.5 < USB Port >

Connector: **JUSB1**

Type: 10-pin (2 x 5) 2.54-pitch pin header for dual USB Ports



Pin	Description	Pin	Description
1	VCC	6	VCC
2	Data0-	7	Data1-
3	Data0+	8	Data1+
4	Ground	9	Ground
5	Ground	10	N/C

A.6 < IrDA Port >

Connector: **SIR**

Type: 5-pin (1 x 5) 2.54-pitch pin header

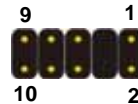


Pin	Description
1	Vcc
2	N/C
3	IRRX
4	Ground
5	IRTX

A.7 < PS/2 Keyboard and Mouse Port >

Connector: **JPS2**

Type: 10-pin (2 x 5) 2.54-pitch pin header



Pin	Description	Pin	Description
1	Keyboard Data	2	Mouse Data
3	N/C	4	N/C
5	Ground	6	Ground
7	Ground	8	Ground
9	Keyboard Clock	10	Mouse Clock

(This Page is Left for Blank)

(This Page is Left for Blank)

Appendix B < BIOS Flash Information >

B.1 < BIOS Flash Tool >

The board is based on Award BIOS and can be updated easily by the BIOS auto flash tool. You can download the tool online at the address below:

<http://www.award.com>

File name of the tool is "awdflash.exe", it's the utility that can write the data into the BIOS flash chip and update the BIOS.

B.2 < Flash Method >

1. Get the ".bin" file including the image of new BIOS you want to update.
2. Power on the system and flash the BIOS.
3. Re-start the system.

(This Page is Left for Blank)

(This Page is Left for Blank)

Appendix C < System Resource >

C.1 I/O Port Address Map

Address Range	Device
0060-0060	i8042prt
0064-0064	i8042prt
0170-0170	viadsk
01CE-01CF	VgaSave
01F0-01F7	viadsk
0278-027A	Parport
02E8-02EE	Serial
02F8-02FE	Serial
0376-0376	viadsk
0378-037A	Parport
03B0-03BB	VgaSave
03C0-03CF	S3Inc
03C0-03DF	VgaSave
03D4-03DB	S3Inc
03E8-03EE	Serial
03F0-03F5	Floppy
03F6-03F6	viadsk
03F7-03F7	Floppy
03F8-03FE	Serial
D000-D007	viadsk
D008-D00F	viadsk
DC00-DCFF	alcxnt
E000-E003	alcxnt

C.2 < Memory Address Map >

Range	Device
x00000000 - x0009FFFF	System board extension for PnP BIOS
x000A0000 - x000AFFFF	S3 Graphics Twister
x000B0000 - x000BFFFF	S3 Graphics Twister
x000F0000 - x000F3FFF	Motherboard resources
x000F4000 - x000F7FFF	Motherboard resources
x000F8000 - x000FBFFF	Motherboard resources
x000FC000 - x000FFFFF	Motherboard resources
x00100000 - x00FFFFFF	System board extension for PnP BIOS
xE0000000 - xE7FFFFFFF	VIA CPU to AGP Controller
xE0000000 - xE7FFFFFFF	S3 Graphics Twister
xE8000000 - xEBFFFFFFF	VIA Standard CPU to PCI Bridge
xEC000000 - xEC07FFFF	S3 Graphics Twister
xEC000000 - xEC0FFFFFFF	VIA CPU to AGP Controller
xEC080000 - xEC08FFFF	S3 Graphics Twister
xEC100000 - xEC1001FF	Realtek RTL8139(A/B/C/8130) PCI Fast Ethernet NIC
xEC101000 - xEC1011FF	Realtek RTL8139(A/B/C/8130) PCI Fast Ethernet NIC
xFEE00000 - xFEE0FFFF	System board extension for PnP BIOS
xFFFE0000 - xFFFFFFFFF	System board extension for PnP BIOS

C.3 < IRQ and DMA Resource >

C.3.1 IRQ

IRQ Number	Device
0	System timer
1	Standard 101/102-Key or Microsoft Natural Keyboard
2	Programmable interrupt controller
3	Communications Port (COM2)
4	Communications Port (COM1)
5	Printer Port (LPT2)
6	Standard Floppy Disk Controller
7	Printer Port (LPT1)
8	System CMOS/real time clock
9	Realtek RTL8139(A/B/C/8130) PCI Fast Ethernet NIC
9	Realtek RTL8139(A/B/C/8130) PCI Fast Ethernet NIC
9	Avance AC'97 Audio for VIA (R) Audio Controller
9	VIA Tech 3038 PCI to USB Universal Host Controller
9	VIA Tech 3038 PCI to USB Universal Host Controller
9	S3 Graphics Twister
9	IRQ Holder for PCI Steering
9	IRQ Holder for PCI Steering
9	IRQ Holder for PCI Steering
10	Communications Port (COM3)
11	Communications Port (COM4)
12	PS/2 Compatible Mouse Port
13	Numeric data processor
14	Primary IDE controller (dual fifo)
14	VIA Bus Master PCI IDE Controller
15	Secondary IDE controller (dual fifo)
15	VIA Bus Master PCI IDE Controller

C.3.2 < DMA >

Channel	Device
0	(free)
1	(free)
2	Standard Floppy Disk Controller
3	(free)
4	Direct Memory Access Controller
5	(free)
6	(free)
7	(free)

(This Page is Left for Blank)

(This Page is Left for Blank)

Contact Information

Any advice or comment about our products and service, or anything we can help you please don't hesitate to contact with us. We will do our best to support you for your products, projects and business.

Annso Technology Co., Ltd

Annsowww.annso.com**Your Embedded Applied Computer Partner**

Address	The south faces industry area of Xia Gang Fu Hai road, Chang'an Town,Dongguan City, Guangdong, China	
TEL	+86-769-81666360	81666395-97
FAX	+86-769-81666306	
Website	http://www.annso.com	
E-mail	sales@annso.com.cn	
